



# ITALIA MARTELLINA

BREVETTATO  
PATENTED



Martellina | Handle  
Bequille a poignee | Maneta



Manico in alluminio pressofuso, cassa, copricassa e rotore in zama, viti e perno in acciaio.



Die-cast aluminium handle. Body, case and rotor in zamak steel screws and pin.



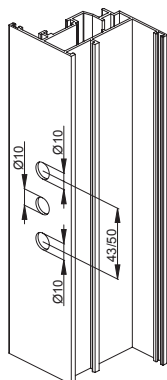
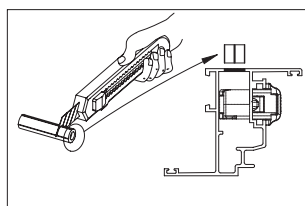
Béquille en aluminium moulées sous pression; caisse, couvre-caisse et rotor en zamak vis et pivot en acier.



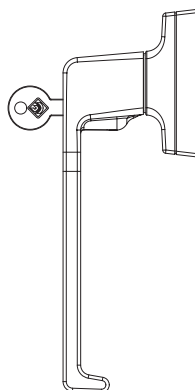
Mango de aluminio de fundición; caja, cobertura de caja y rotor de zamak tornillos y pernio en acero.



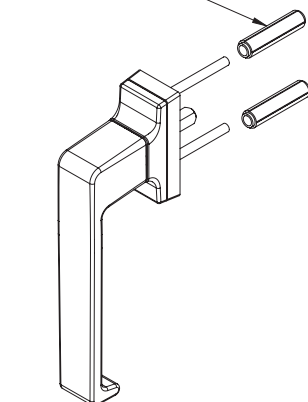
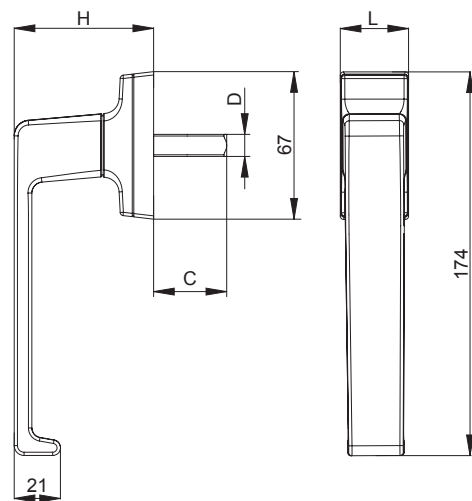
ART.	3072   3072.1				3072.10				3077.25D 3077.25S				3077.2   3077.3			
Imballo   Package   Conditionnement   Embalaje	5 Pz				2 CP				5 Pz				5 Pz			
Finiture disponibili   Available finishes Finitions disponibles   Acabados disponibles	1	2	3	4	1	2	3	4	1	2	3	4	1	2	3	4



Art. 3077.2



Art. 3072 | .1 | .5



	DESCRIZIONE DESCRIPTION	ART.	L	H	C	D
	"ITALIA" Martellina "ITALIA" Handle	3072	31	63.5	26mm	7
	"ITALIA" Martellina "ITALIA" Handle	3072.1	31	63.5	46mm	7
	"ITALIA" Doppia martellina "ITALIA" Double handle	3072.10	31	63.5	Max 64	7
	Martellina "ITALIA" con cilindro "ITALIA" handle with key	3077.2	31	63.5	26mm	7
	Martellina "ITALIA" con cilindro "ITALIA" handle with key	3077.3	31	63.5	46mm	7
	Martellina "ITALIA" logica DX - SX "ITALIA" handle for tilt before turn	3077.25D 3077.25S	31	63.5	26mm	7

Art. 3072.10

