



2.0 DUEPUNTOZERO

A/R PER CAMERA EUROPEA - 80 KG



Anta ribalta per CE | Tilt and turn for CE |
Vantail oscillo-battant pour CE | Oscilobatiente para CE



Cerniere lato telaio, rinvio d'angolo, terminali e riscontri in zama, cerniere lato anta in alluminio estruso, eccentrici di chiusura in acciaio inox con cilindro in ottone.
Portata massima: 80 Kg



Side frame hinges, plates, corner return, terminals and handles in zamak, side shutter hinge in extruded aluminum, closing cams in stainless steel with brass cylinder.
Maximum load: 80 Kg



Paumelles côté dormant, plaques, renvoi d'angle, embout de tringle s et gâche en zamak, paumelles côté ouvrant en aluminium extrudé, cames de fermeture en acier inox avec cylindre en laiton.
Portée: 80 Kg

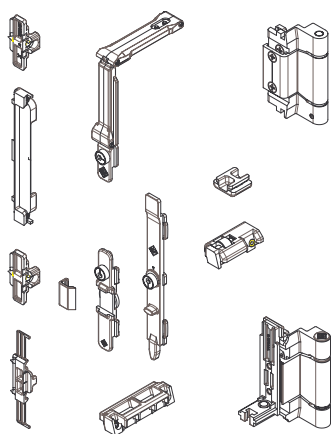


Bisagras del lado del marco, plaquetas, reenvío de ángulo, Bloqueo y cerradero de zamac, bisagras del lado de la hoja de aluminio extruido, excéntricos de cierre de acero inox con cilindro de latón.
Soporta hasta: 80 kg

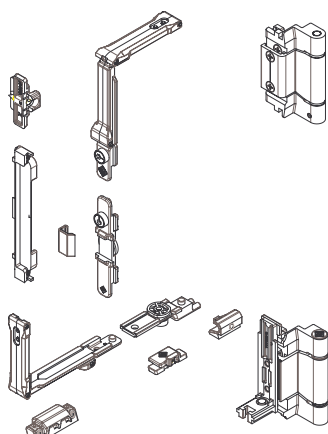


ART.	3520.2 .3 .4 .6				3520.12 .13 .14 .16				3530.2 .3 .4 .6			
Imballo Package Conditionnement Embalaje	1 Kit				1 Kit				1 Kit			
Finiture disponibili Available finishes Finitions disponibles Acabados disponibles	1	2	3	4	1	2	3	4	1	2	3	4

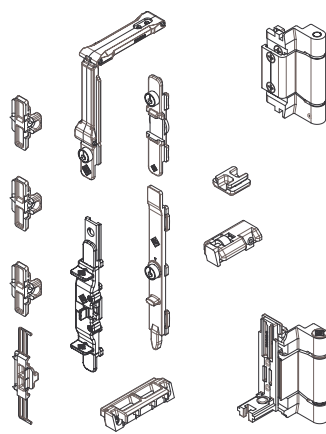
Art. 3520.2 | .3 | .4 | .6
Kit base standard
Basic standard kit



Art. 3520.12 | .13 | .14 | .16
Kit base con chiusura orizzontale inferiore
Basic kit with lower horizontal closing



Art. 3530.2 | .3 | .4 | .6
Kit base standard con antifalsamanovra sulla cremone
Standard kit with anti-false manoeuvre on cremone bolt



ART.	NODO SECTION	A
3520.2 3520.12 3530.2	A20	7
3520.3 3520.13 3530.3	A21	8
3520.4 3520.14 3530.4	A22	9
3520.6 3520.16 3530.6	A22 Bombato	9

