



# TOP RAPID

## CERNIERA AD AGGANCIO RAPIDO



Cerniera ad aggancio rapido | Fast mounting hinge  
Paumelle a accrochage rapide | Bisagra de agarre rápido



Cerniera in alluminio estruso, boccole in nylon, perno e viti di serraggio M5 TSC CR in acciaio inox. TOP RAPID + Cerniera preassemblata in versione DX e SX.



Hinge in extruded aluminum, nylon bushing, stainless steel pin and M5 TSC CR tightening screws. TOP RAPID + Pre-assembled hinge in right-hand and left-hand versions.



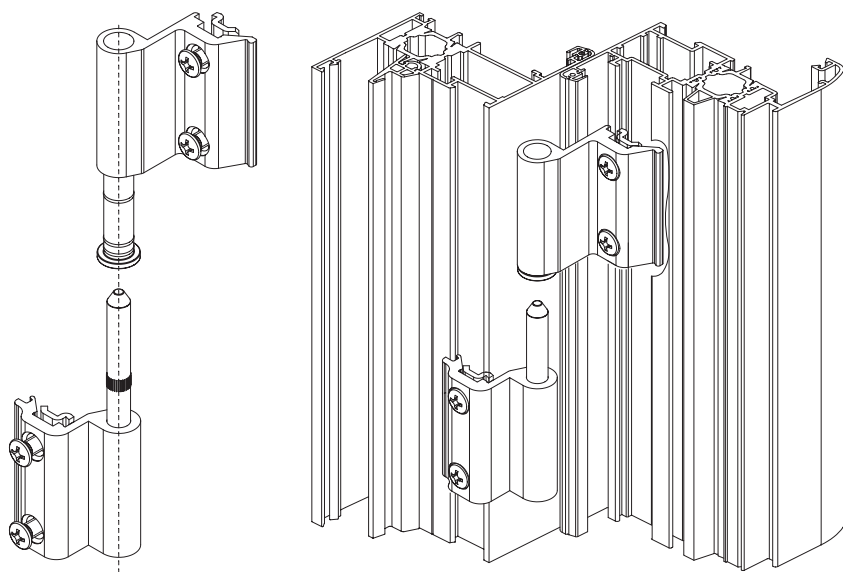
Paumelle en aluminium extrudé, bagues en nylon, pivot et vis de serrage M5 TSC CR en acier inox. TOP RAPID + Paumelle pré assemblée en version droite et gauche.



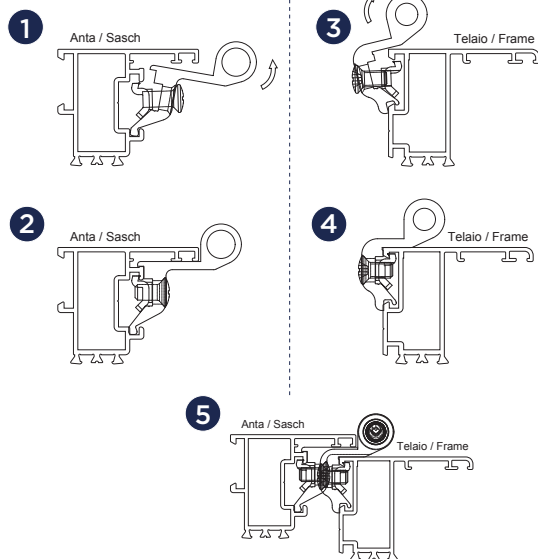
Bisagra de aluminio extruido, casquillos de nylon, pernio y tornillos de ajuste M5 TSC CR de acero inox. TOP RAPID + Bisagra pre-ensamblada en versión Derecha e Izquierda.



ART.	TOP RAPID 9XXX.3   .33   .6  .36				TOP RAPID + 9XXX.23X   .233X				TOP RAPID + 9XXX.25X   .253X			
Imballo   Package   Conditionnement   Embalaje	50 PZ				50 PZ				25 PZ			
Finiture disponibili   Available finishes Finitions disponibles   Acabados disponibles	1	2	3	4	1	2	3	4	1	2	3	4



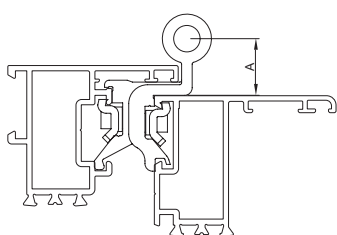
### MONTAGGIO | ASSEMBLING



TOP RAPID			
ART.		ART.	
9XXX.3		9XXX.6	
9XXX.33		9XXX.36	

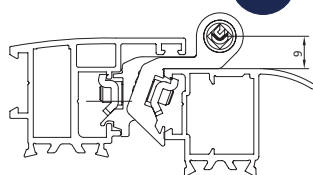
TOP RAPID +			
ART.		ART.	
9XXX.23D 9XXX.25D		9XXX.23S 9XXX.25S	
9XXX.233D 9XXX.253D		9XXX.233S 9XXX.253S	

TOP RAPID	TOP RAPID +	TOP RAPID 3	A	NODO SECTION
9127.3	9127.23	9127.6	19	A12
9129.3	-----	9129.6	19	B13
9131.3	9131.23	9131.6	7,8	A11
9133.3	9133.23	9133.6	14,8	A12-B08
9141.3	9141.23	9141.6	8,8	A05-A06
9211.3	9211.23	9211.6	9	A01-A02
9212.3	9212.23	9212.6	9	A03-A04-A07
9213.33	9213.233	9213.36	17	A01-A02-B03
9217.33	-----	-----	18	A01-A02
9226.3	9226.23	9226.6	15	B01-B02
9227.3	9227.23	9227.6	18,5	A01-A02-B01-B02
9235.3	-----	9235.6	7,5	A13
9242.3	-----	9242.6	14	A13
9331.3	9331.23	9331.6	7,8	A10
9337.3	9337.23	9337.6	16,5	B07
9353.3	9353.23	9353.6	16,5	A17
9412.3	-----	9412.6	16,3	A14
9431.3	9431.23	9431.6	7,3	A14-A16
9616.3	9616.23	9616.6	7,3	A08
9626.3	-----	9626.6	15	B04
9627.33	-----	9627.36	31,7	B04
9630.3	9630.23	9630.6	7,3	A09
9632.3	9632.23	9632.6	19	A08-A23
9640.3	-----	-----	19	B04



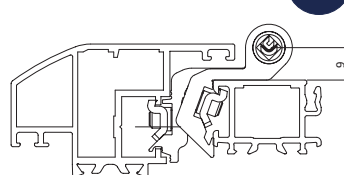
Art. 9203.33

NEW



Art. 9204.33

NEW



Art. 9205.33

NEW

