



ASTA DI CHIUSURA

CHIUSURA PER SISTEMA AS 300



Kit Cremonese | Cremona kit | Kit crémone | Kit cremona



Cremonese in alluminio estruso, asta interna, viti di fissaggio, naselli e movimentazione in acciaio.



Cremona in extruded aluminum, rod, screws, hook and movement in steel.



Crémone de aluminium extrudé, tringles, vis, pènes, mouvement en acier.

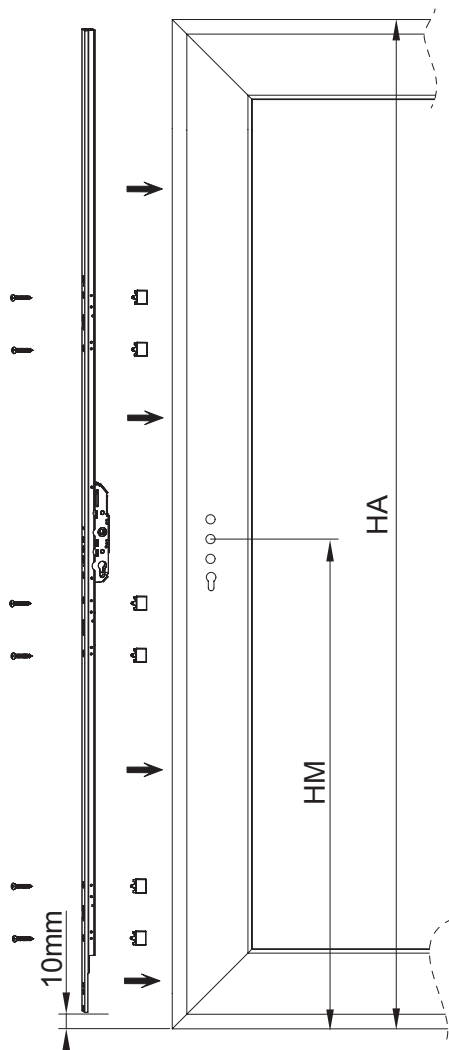


Cremona de aluminio extruido, pletinas, movimiento, tornillos, ganchos en acero.



ART.	673X.XX		
Imballo Package Conditionnement Embalaje	2 Pz		
Finiture disponibili Available finishes Finitions disponibles Acabados disponibles	2	3	4

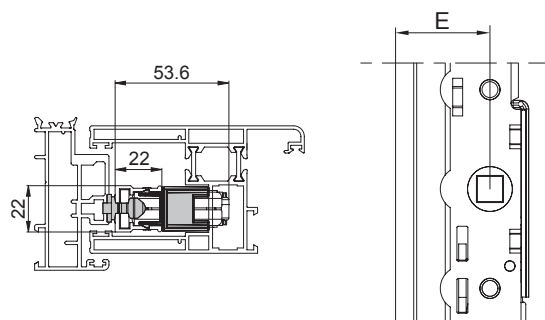
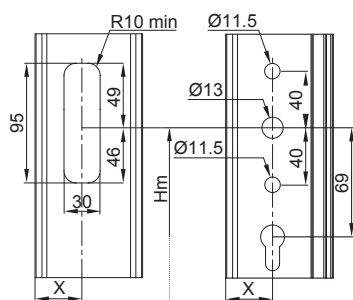
Kit cremonese
Cremona kit

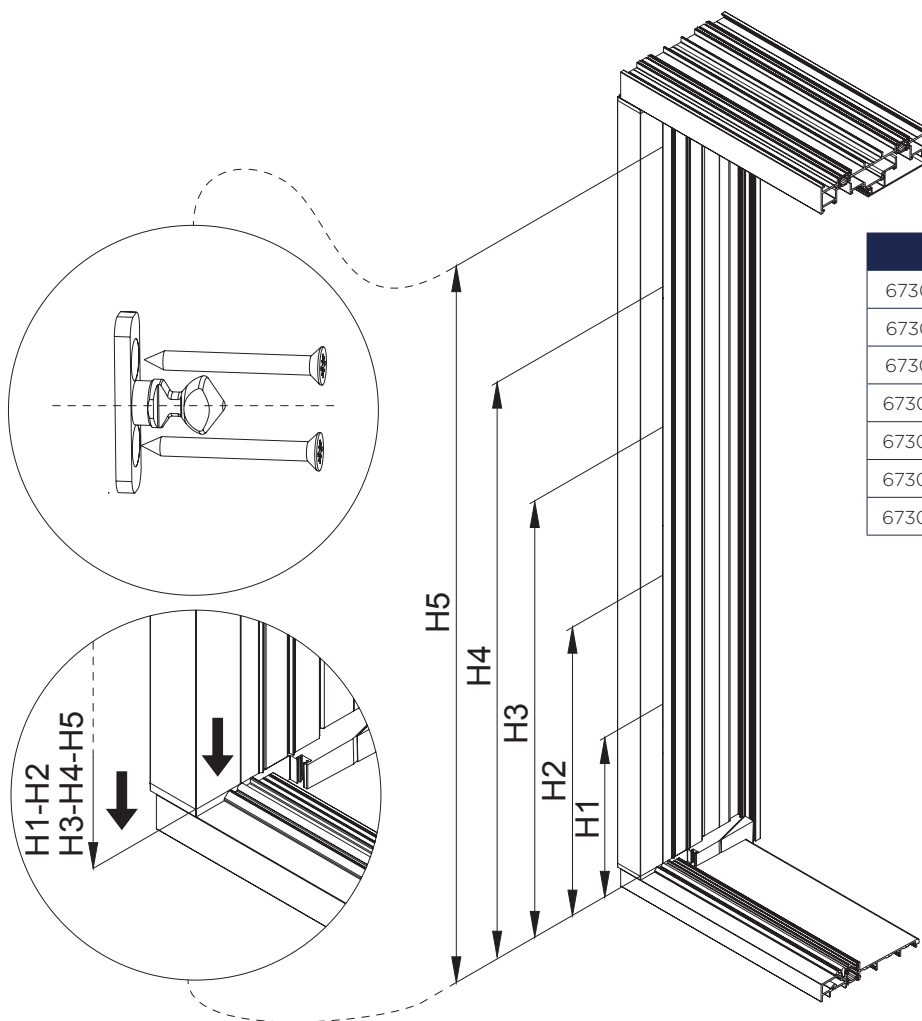


Art.	Hook	L	H	HM	E	H1	H2	H3	H4	H5
6731.13	2	1300	745-1360	400	37,5	195.5mm	585.5mm	-	-	-
6731.17	3	1700	1260-1760	400	37,5	195.5mm	585.5mm	1100mm	-	-
6731.21	3	2100	1660-2160	1000	37,5	195.5mm	695.5mm	1185mm	1500mm	-
6731.25	3	2500	2060-2560	1000	37,5	195.5mm	695.5mm	1185mm	1900mm	-
6731.28	3	2800	2460-2860	1000	37,5	195.5mm	695.5mm	1185mm	2300mm	-
6731.33	3	3300	2760-3360	1000	37,5	195.5mm	695.5mm	1185mm	1900mm	2700mm
6731.38	3	3800	3260-3860	1000	37,5	195.5mm	695.5mm	1185mm	2300mm	3100mm
6730.13	2	1300	745-1360	400	27,5	195.5mm	585.5mm	-	-	-
6730.17	3	1700	1260-1760	400	27,5	195.5mm	585.5mm	1100mm	-	-
6730.21	3	2100	1660-2160	1000	27,5	195.5mm	695.5mm	1185mm	1500mm	-
6730.25	3	2500	2060-2560	1000	27,5	195.5mm	695.5mm	1185mm	1900mm	-
6730.28	3	2800	2460-2860	1000	27,5	195.5mm	695.5mm	1185mm	2300mm	-
6730.33	3	3300	2760-3360	1000	27,5	195.5mm	695.5mm	1185mm	1900mm	2700mm
6730.38	3	3800	3260-3860	1000	27,5	195.5mm	695.5mm	1185mm	2300mm	3100mm

LAVORAZIONI | MACHINING

Esterno | External Interno | Internal

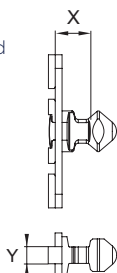




Art.	H1	H2	H3	H4	H5
6730 - 6731.13	195.5	585.5	-	-	-
6730 - 6731.17	195.5	585.5	1100	-	-
6730 - 6731.21	195.5	695.5	1185	1500	-
6730 - 6731.25	195.5	695.5	1185	1900	-
6730 - 6731.28	195.5	695.5	1185	2300	-
6730 - 6731.33	195.5	695.5	1185	1900	2700
6730 - 6731.38	195.5	695.5	1185	1185	3100

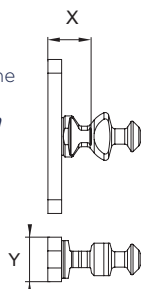
ART.	6734.X					6736.XX					6737				
Imballo Package Conditionnement Embalaje	20 Pz					20 Pz					1 Pz				
Finiture disponibili Available finishes Finitions disponibles Acabados disponibles	2	3	4	5	6	2	3	4	5	6	2	3	4	5	6

6734.X
 Chiusure standard
 Standard hook



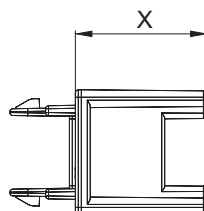
Art.	X	Y
6734.1	10,5	5
6734.2	12	7,9
6734.3	14,5	13
6734.4	15,5	13
6734.5	21,5	13
6734.6	26,5	13

6734.X
 Chiusure con
 microventilazione
 Hook with
 microventilation



Art.	X	Y
6734.11	12	13
6734.12	14,5	13
6734.13	15,5	13
6734.14	19,5	13
6734.15	21,5	13
6734.16	26,5	13
6734.17	10,5	5

6736.XX
 Spessori aste
 Cremona thickness



Art.	X
6736.20	20,5
6736.22	22
6736.25	25,5
6736.30	30
6736.32	32
6736.36	36

Art.	X
6736.4	4
6736.10	10
6736.14	14
6736.16	16
6736.18	18

6737
 Ammortizzatore serratura
 Cremona dumper

