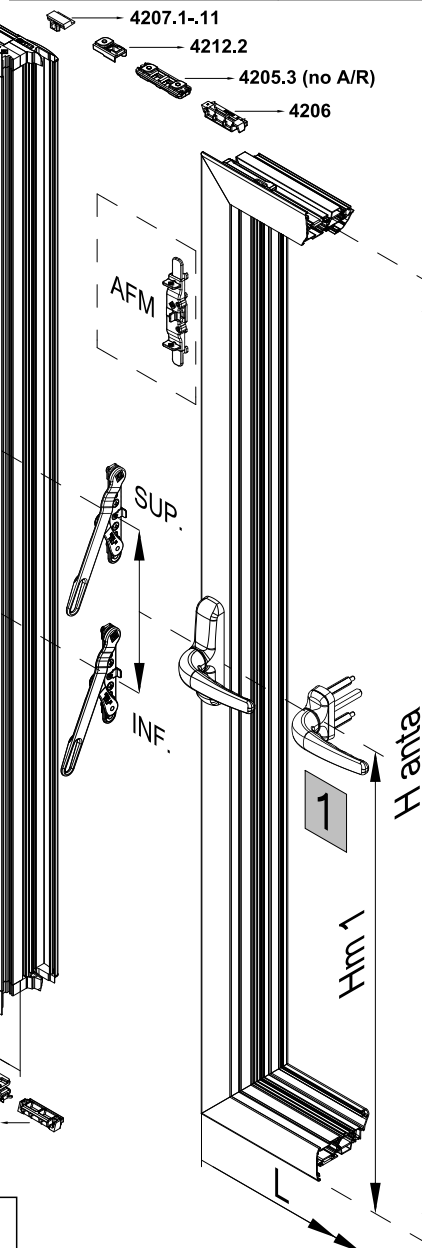
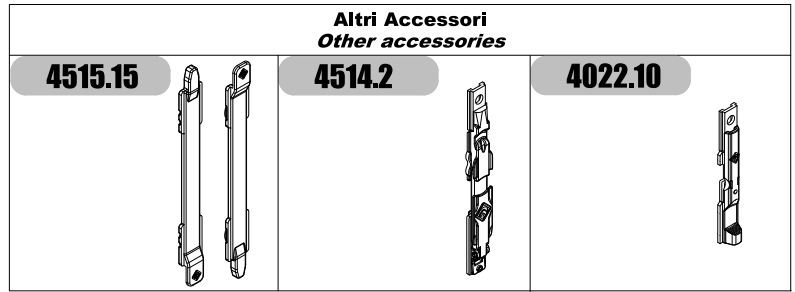
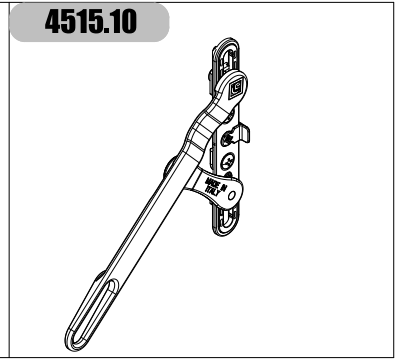
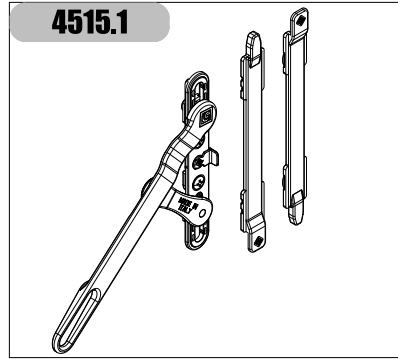
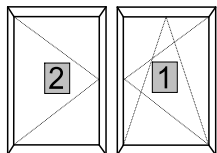
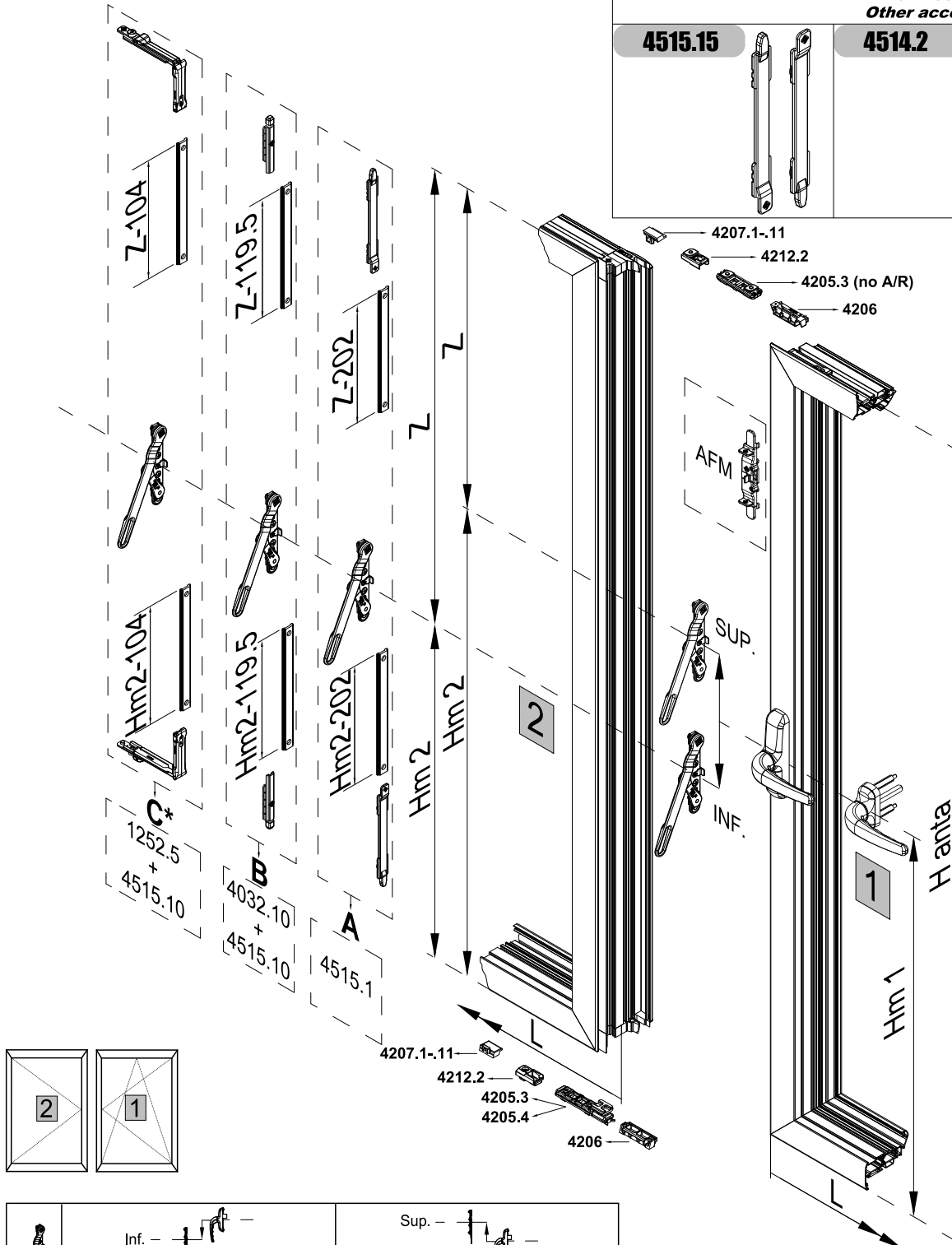
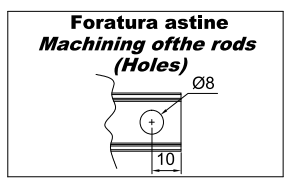
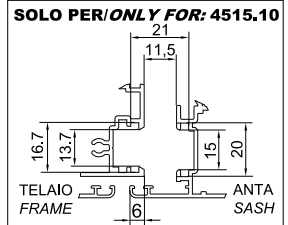
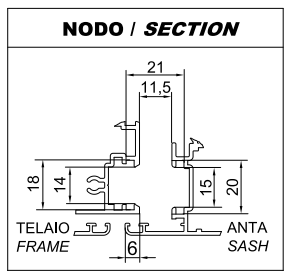
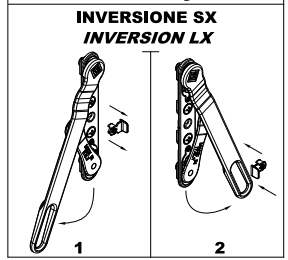


CATENACCIO A LEVA BI-HID
per anta affiancata

TWO-WAY MECHANISM FOR SECONDARY SASH



Inversioni di apertura
Destra/Sinistra
Direction of opening
Right/Left



	Inf. — —				Sup. — —			
	H anta min.	H anta min. (AFM)	H m min.	L min.	H anta min.	H anta min. (AFM)	H m min.	L min.
1	710	800	Hm1	500	800	1100	Hm1	500
			450				300	
2	710	800	Hm2	370	800	1100	Hm2	370
			Hm1-210				Hm1+244	

	4212.2	4206	4205.3	4205.4	4207.1-11
A					
B					
C*					

C* = Utilizzabile solo con tappi di riporto idonei
It can be used only with suitable facing plugs